



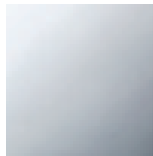
Bathtub - LULU

Single-lever tub mixer for freestanding installation with hand shower set - polished chrome

Article number: 25 863 710-00



- 8-1/2" Projection
- Spout: Round aerated stream
- Hand shower set: Standard spray
- Baton hand shower with descaling system
- Hand shower bracket
- Integrated diverter
- Total height 36-3/4" - 39-1/2"
- Lower body height 23-1/2" - 26-1/4"
- Height to aerator/spout outlet 32-1/2" - 35-1/4"
- Flange 5-1/8" x 5-1/8"
- Metal shower hose 49-1/4" with anti-twist device
- Water flow rate limited to max. 7 gpm
- Handshower flow rate max. 1.8 gpm
- Fittings group in compliance with DIN 4109: 1
- NOTE: Local building codes may require the use of an anti-scald device. Please refer to remote pressure balance valve (35 910 970 90)
- Internal backflow preventer.



polished chrome

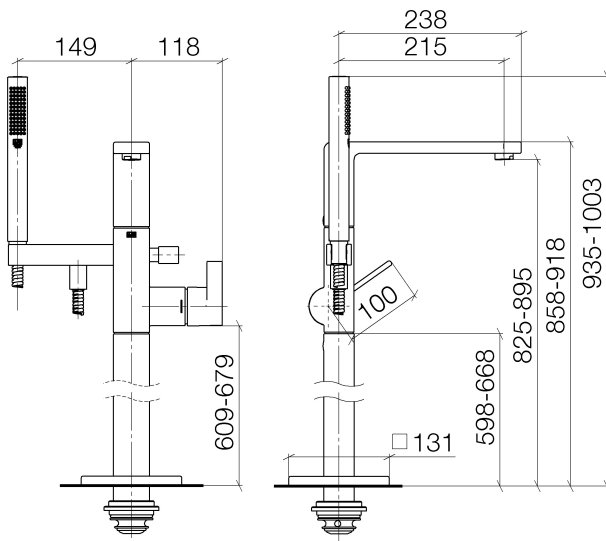
Accessory is required for this item.

Bathtub - LULU

Single-lever tub mixer for freestanding installation with hand shower set - polished chrome

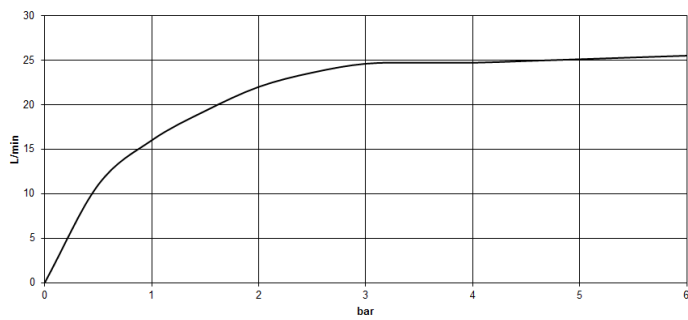
Article number: 25 863 710-00

Dimensional drawing



All dimensions in mm / inch = mm x 0,0394

Flow rate chart





Bathtub - LULU

Single-lever tub mixer for freestanding installation with hand shower set - polished chrome

Article number: 25 863 710-00

Other surface finishes



platinum matte

25 863 710-06

More custom finish options are available via special production (xTra Service). Please see our finish matrix for availability and pricing or contact a Dornbracht representative.

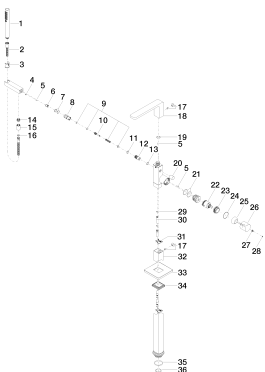
Required article



35 945 970-90 0010

Floor mounting rough set -

Spare parts list



Number	Item Number	Designation	Number of units
--------	-------------	-------------	-----------------